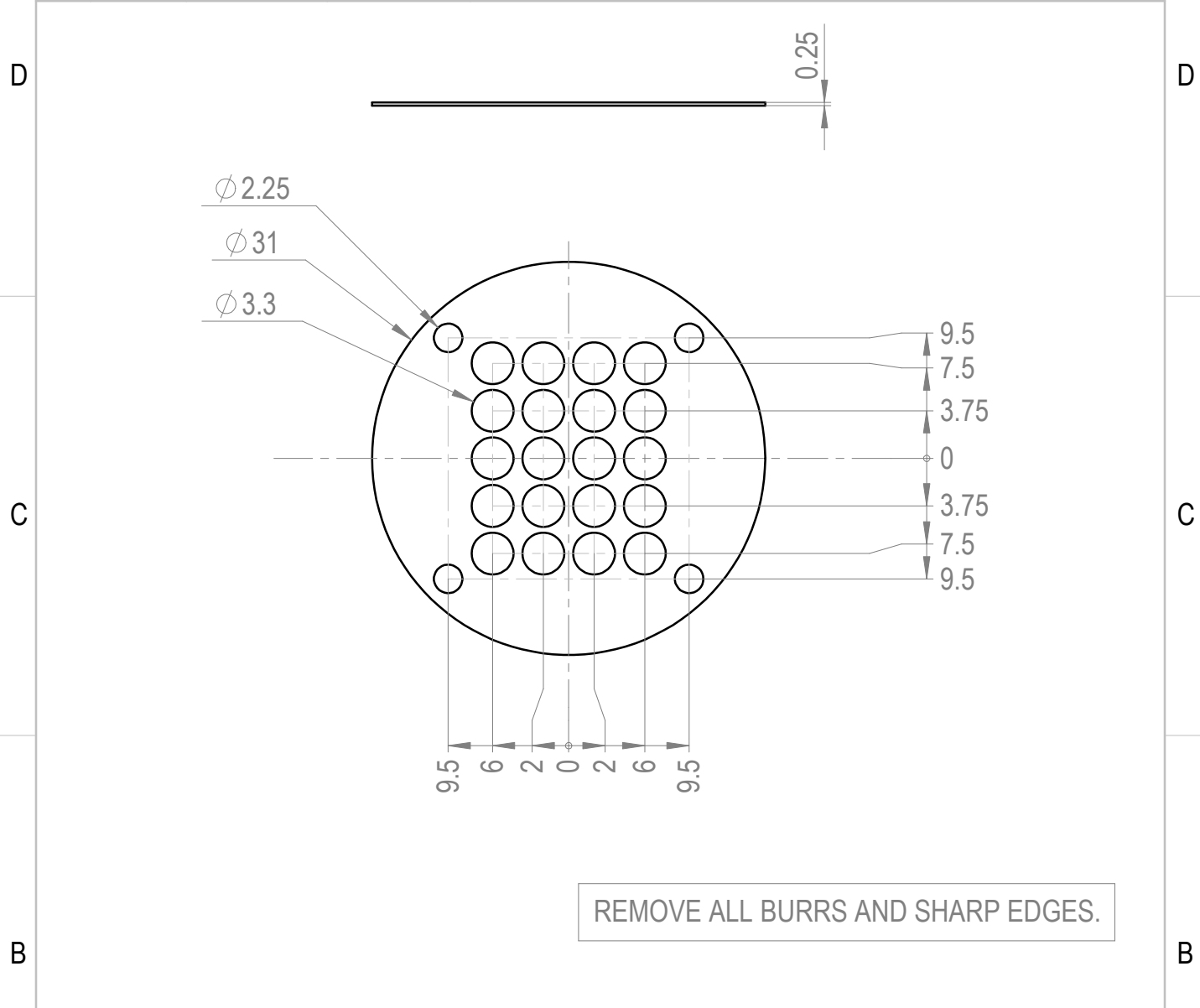


|     |          |       |       |                                  |  |
|-----|----------|-------|-------|----------------------------------|--|
| 1   |          | 2     |       | 3                                |  |
| B   | 09/11/21 | G.G   |       | Changement de diametre des trous |  |
| A   | 27/09/21 | G.G   |       | Mise en plan                     |  |
| MOD | DATE     | DRND. | APPD. | DESCRIPTION                      |  |



REMOVE ALL BURRS AND SHARP EDGES.

|             |   |            |          |           |
|-------------|---|------------|----------|-----------|
| ±0.1 mm     |   | 316L       |          |           |
| DESCRIPTION | / | REMARKS    | MATERIAL | TREATMENT |
| 0mm         |   | SCALE: 2:1 |          | 100       |



**ID 21**  
**Rondelle 4x5 - 3mm**

|                       |          |          |
|-----------------------|----------|----------|
|                       | NAME     | DATE     |
| DRN.                  | G.Goulet | 27/09/21 |
| CKD.                  |          |          |
| APPD.                 |          |          |
| GEN. TOL. :           |          |          |
| GEN. SURFACE FINISH : |          |          |

|  |  |              |
|--|--|--------------|
|  | <b>EUROPEAN SYNCHROTRON RADIATION FACILITY</b><br>CS 40220 - 38043 Grenoble Cedex 9<br>TEL. 04-76-88-20-00 WWW.ESRF.FR | <b>ASSY.</b> |
|  | <b>A4</b>  | <b>B</b>     |